

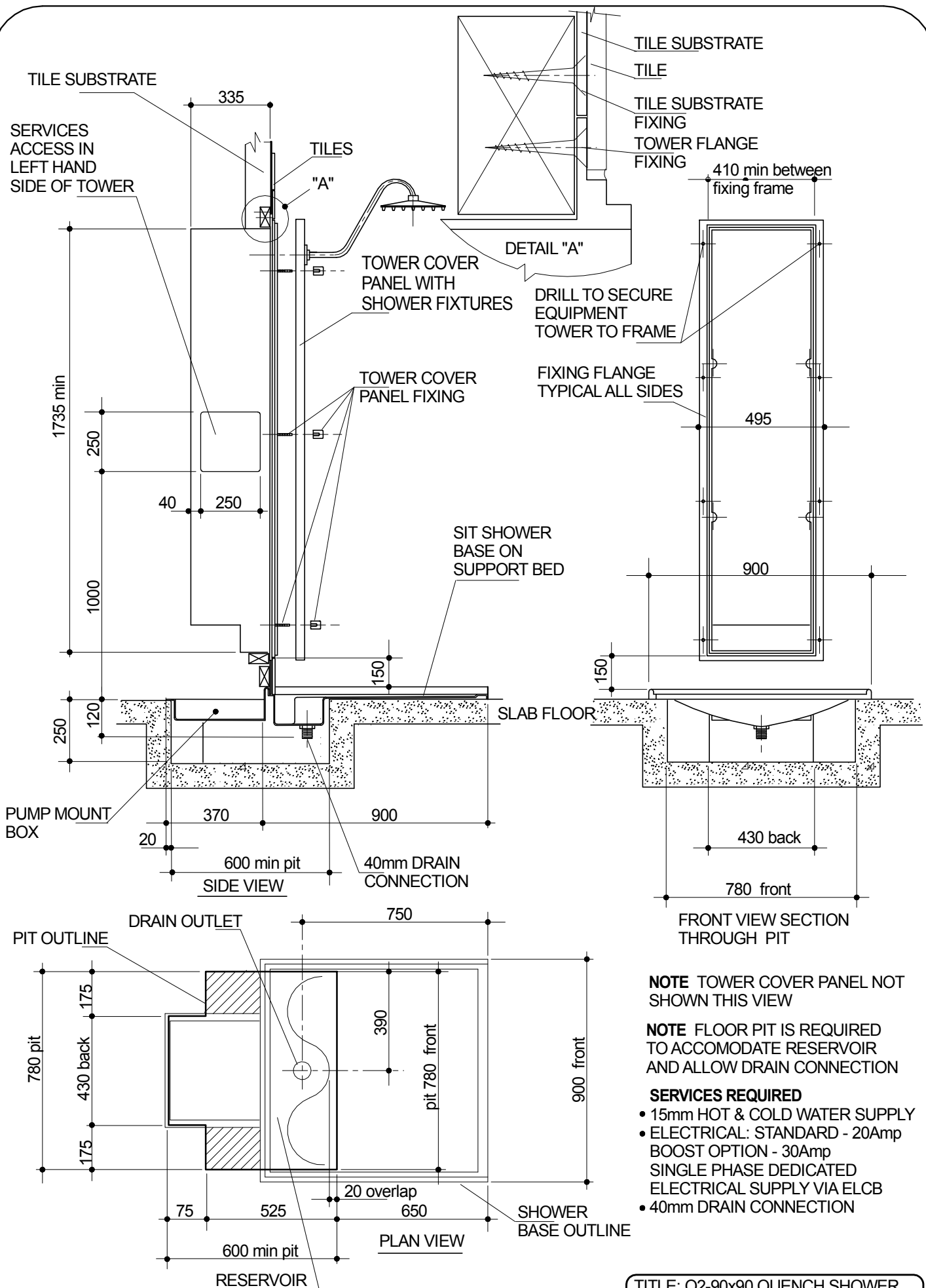


Installation Overview - Model Q2

1. The Q2 Quench Shower model is supplied in 2 pieces – a moulded Shower base and an equipment tower. The shower base is available in varying size and colours. The equipment tower houses the Quench operating system - heater, plumbing and electronic control system. The tower's removable front cover panel has a smooth flat surface to accommodate tile, stainless steel, glass or alternative decorative finish that is to be added on-site.
2. The shower base incorporates the unique Quench reservoir and has the re-circulating pump mounted within the pump box, the pump box is attached to the base. The pump box is to be recessed into the wall cavity of the building to line up with the equipment tower that is also to be recessed into the wall cavity. The pump box recesses into the wall cavity by 370mm and the equipment tower by 335mm
3. A floor pit is to be formed in the slab floor to accommodate the shower base reservoir, pump box. and to allow access to drain connection under shower base.
4. The shower base is to be located, secured and sat on an appropriate support bed. The pump box is to be recessed into the wall cavity by 370mm.
5. The equipment tower is to be located and secured in place centre of the base directly above the pump box. A tile width (approx 150mm) between the shower base and the equipment tower must be allowed for. The shower walls are to be constructed around the shower base and the equipment tower. The tile substrate, tile, grout and sealer is then to be applied.
6. The pump and the equipment tower are then to be connected – this is done by gaining access to the inside of the equipment tower by removing the equipment tower's front cover panel (4 screw caps), connection can then be made. Access to equipment is through the towers front cover panel and from inside the shower enclosure – access to equipment from behind the equipment tower is not required
7. 15mm (1/2 inch) hot & cold water supply lines enter the equipment tower through a cut out window located on the left hand side of the tower. Connection to the equipment tower is then made by qualified plumber in accordance with local and national plumbing regulations.
8. A 40mm (1 1/2inch) drain connection to shower base is to be made by qualified plumber in accordance with local and national plumbing regulations.
9. A 20 Amp single phase dedicated electrical supply via an ELCB is to enter the equipment tower and be terminated inside the electrical box provided. All electrical work must be performed by a qualified electrician in accordance with local and national electrical regulations.

Note: A Boost option is available this requires a 30Amp electrical supply.

Refer to Installation drawings and guide.



NOTE TOWER COVER PANEL NOT SHOWN THIS VIEW

NOTE FLOOR PIT IS REQUIRED TO ACCOMODATE RESERVOIR AND ALLOW DRAIN CONNECTION

- SERVICES REQUIRED**
- 15mm HOT & COLD WATER SUPPLY
 - ELECTRICAL: STANDARD - 20Amp BOOST OPTION - 30Amp SINGLE PHASE DEDICATED ELECTRICAL SUPPLY VIA ELCB
 - 40mm DRAIN CONNECTION

TITLE: Q2-90x90,QUENCH SHOWER BASE & TOWER INSTALLATION CONCRETE SLAB

ALL DIMENSIONS IN MILLIMETERS

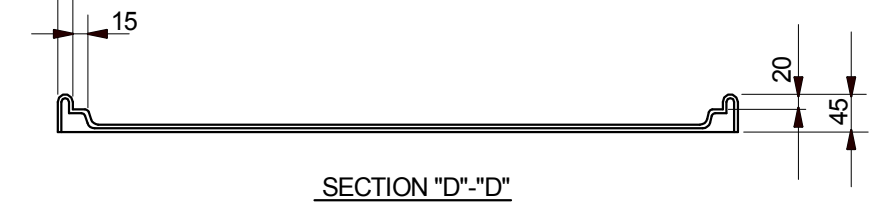
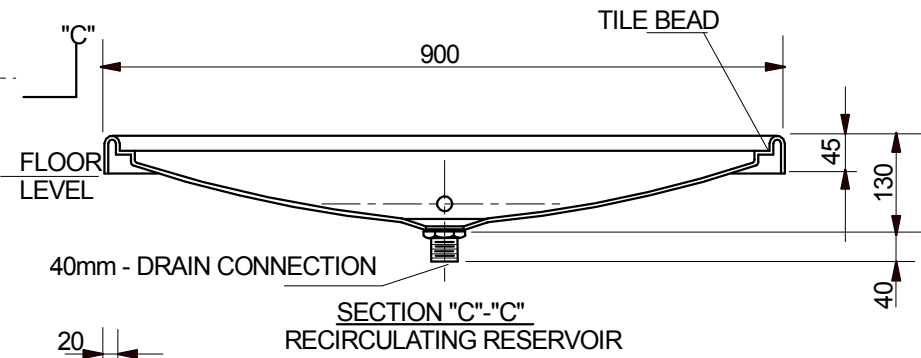
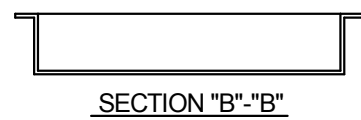
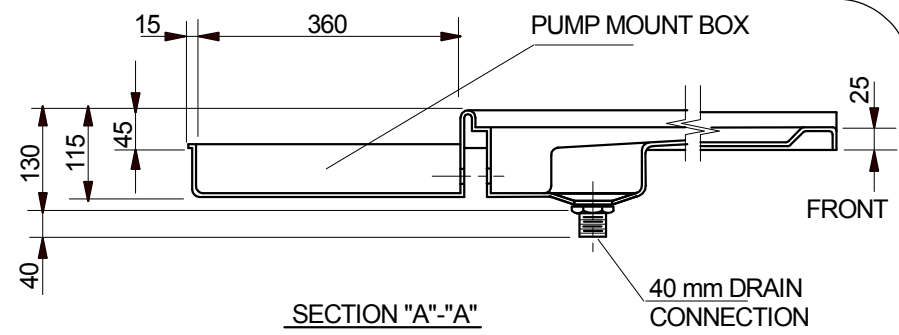
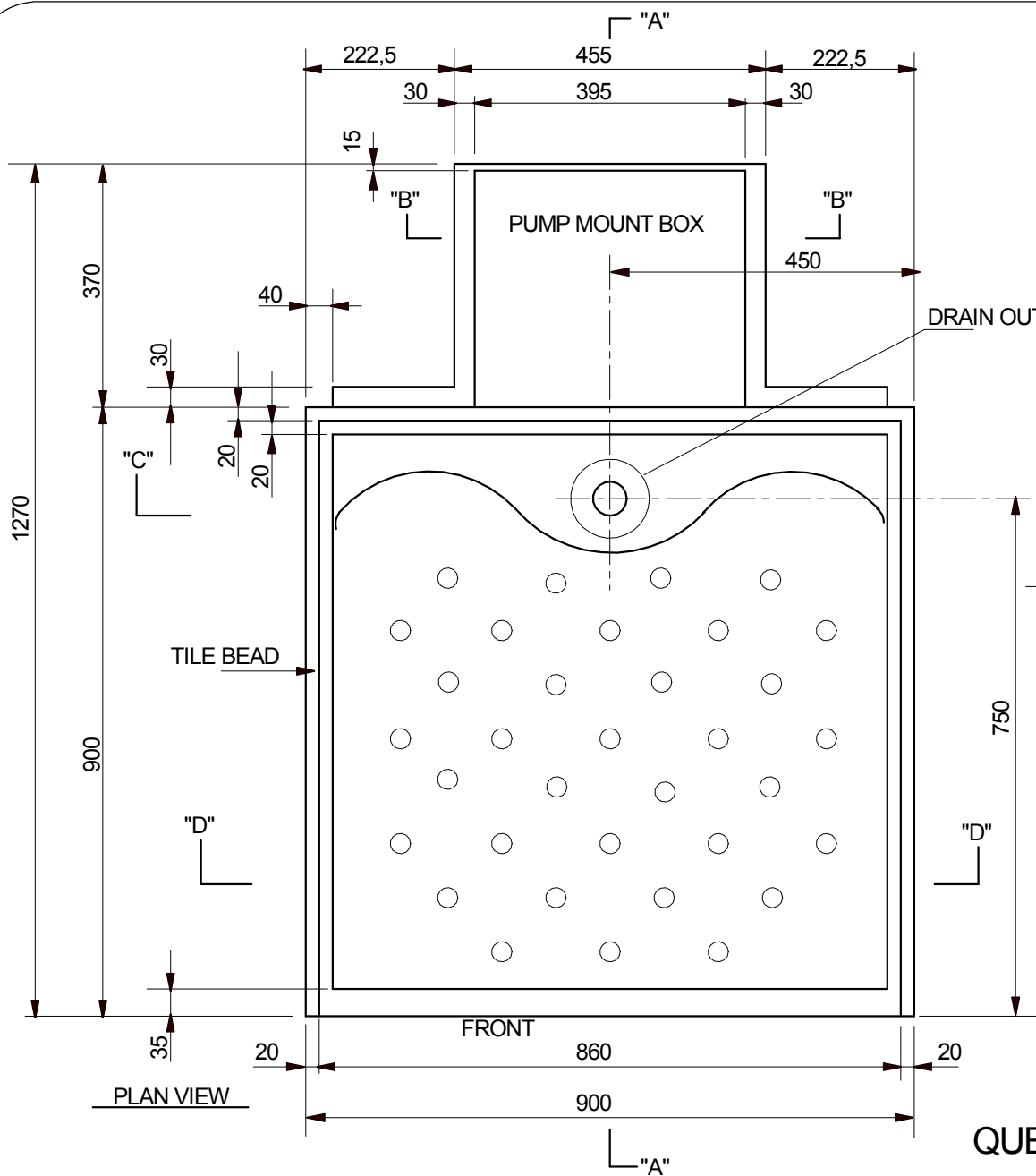
DRAIN CONNECTION ACCESS AREA

QUENCH SOLUTIONS PTY LTD
Melbourne Australia

ph: (03)9786 7887 www.quenchshowers.com

SCALE: 1:20 DRG No. Q2-004 2of5

NOTE. THIS DRAWING IS TO BE USED AS A GUIDE ONLY AND IS SUBJECT TO CHANGE WITHOUT NOTICE 13.09.07



TITLE: Q2 SHOWER BASE 90x90

QUENCH SOLUTIONS PTY LTD

Melbourne Australia

ph: (03)9786 7887 www.quenchshowers.com

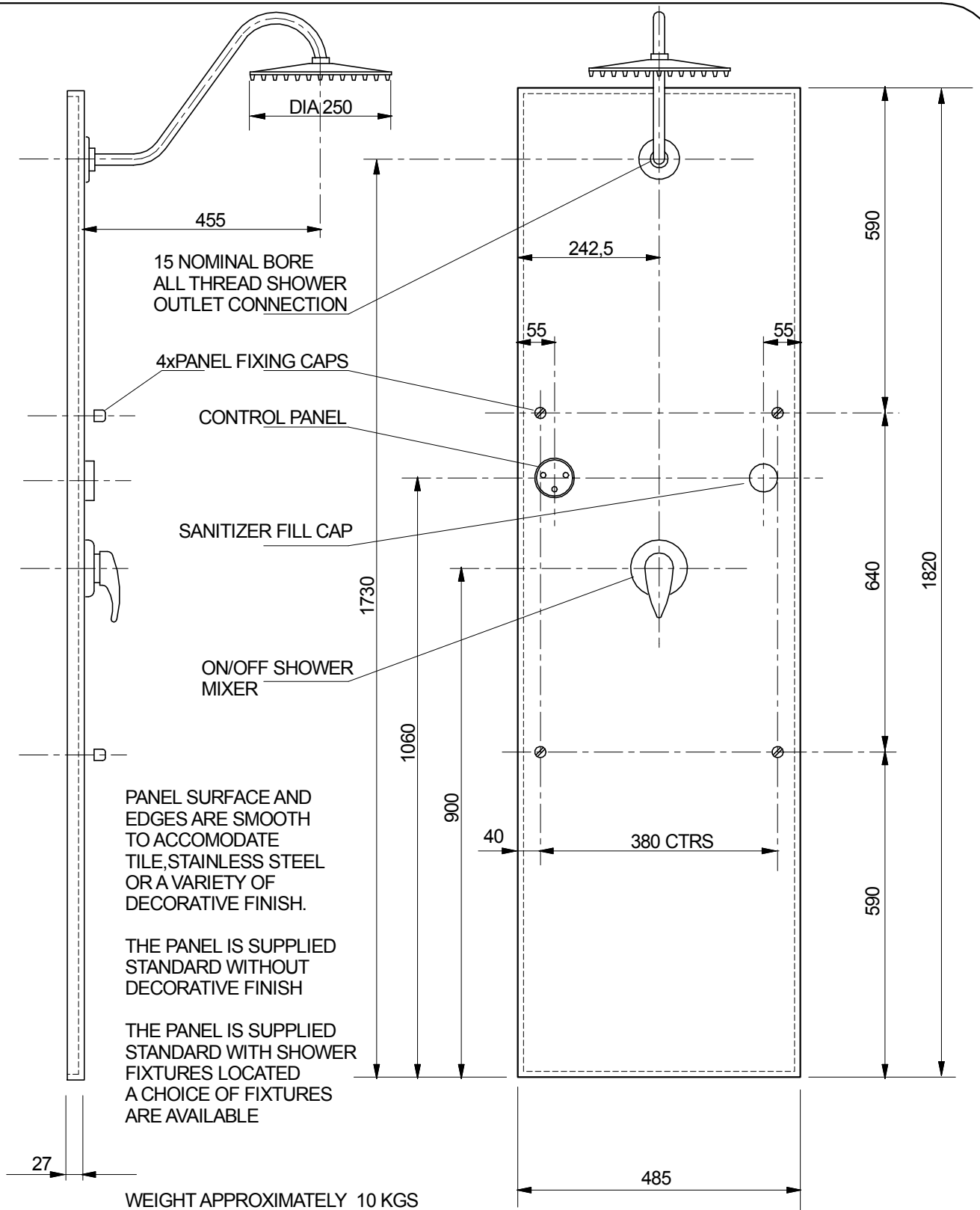
● ALL DIMENSIONS IN MILLIMETERS

MATERIAL: MOULDED POLYESTER FIBREGLASS

Scale: 1:5

DRG No. Q2-004 3of5

NOTE. THIS DRAWING IS TO BE USED AS A GUIDE ONLY AND IS SUBJECT TO CHANGE WITHOUT NOTICE



NOTE: TOWER COVER PANEL FIXES TO EQUIPMENT TOWER AND SECURED IN PLACE BY (4) FOUR FIXING CAPS

A WATER SPRAY POLYMER PROTECTIVE SEAL IS COMPRESSED BETWEEN COVER PANEL AND TOWER.

TOWER COVER PANEL IS REMOVABLE FROM WITHIN THE SHOWER ALLOWING ACCESS TO EQUIPMENT LOCATED IN THE TOWER

TITLE: TOWER COVER PANEL

QUENCH SOLUTIONS PTY LTD

Melbourne Australia

ALL DIMENSIONS IN MILLIMETERS

ph: (03)9786 7887 www.quenchshowers.com

SCALE: 1:5

MATERIAL : MOULDED SANITARY GRADE POLYESTER (REINFORCED FIBREGLASS)

DRG No. Q2R1-003 5of5

NOTE. THIS DRAWING IS TO BE USED AS A GUIDE ONLY AND IS SUBJECT TO CHANGE WITHOUT NOTICE